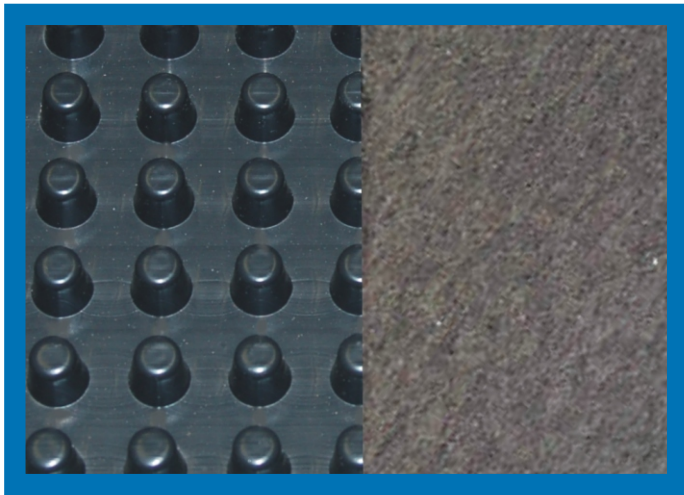
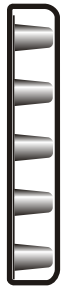


J-DRain[®] 400 series

Prefabricated Drainage Composites



APPLICATIONS:

FOUNDATION WALLS
 RETAINING WALLS
 PLANTERS & ROOF GARDENS
 BRIDGE ABUTMENTS
 UNDER SLABS

J-DRain[®] 400 Series

J-DRain 400 Series:

Performs a multi-faceted role by providing protection for waterproofing systems and managing subsurface water around building foundations. Soil backfill is retained while allowing water to pass into the drainage system providing hydrostatic relief. Collected water is then conveyed to **J-DRain SWD-6** or **SWD 12** collection systems.

Consists of a impermeable polypropylene sheet cusped under heat and pressure to form a high flow dimpled drainage core. The core is then bonded to a layer of nonwoven filter fabric. The filter fabric retains soil or sand particles as well as freshly placed concrete or grout, allowing filtered water to pass into the drainage core.

J-DRain[®] 400 / 420*

Maintains a very high flow rate while providing a higher compressive strength for greater depths. A very popular choice for vertical and horizontal single sided drainage applications. Moderate duty.

J-DRain[®] 400 XL / 420 XL*

Designed for extra heavy duty vertical and horizontal applications that demand greater compressive strength and improved filtration for challenging soil conditions. Heavier duty drain core & fabric.

*420 & 420 XL are identical to 400 & 400 XL with the addition of a membrane protective film on the back side.

info@j-drain.com

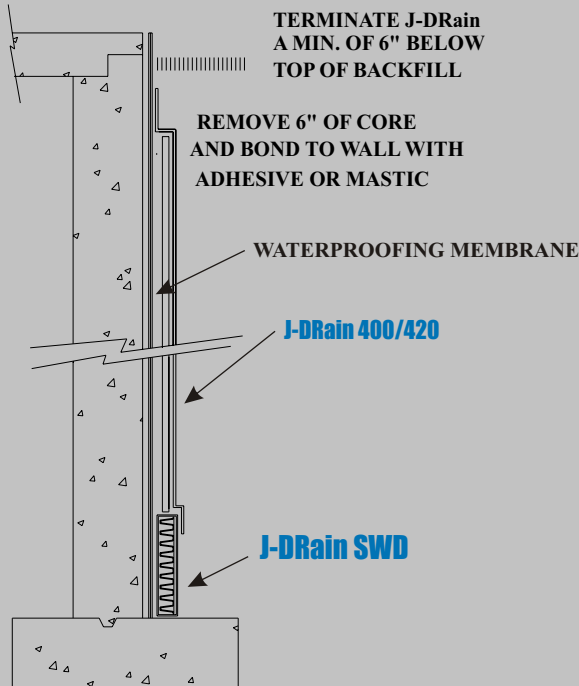
www.j-drain.com

JDR Enterprises, Inc.

292 S. Main St., Suite 200 Alpharetta, GA 30009
 (800) 843-7569 (770) 442-1461 Fax: (770) 664-7951

J-DRain[®] 400 series

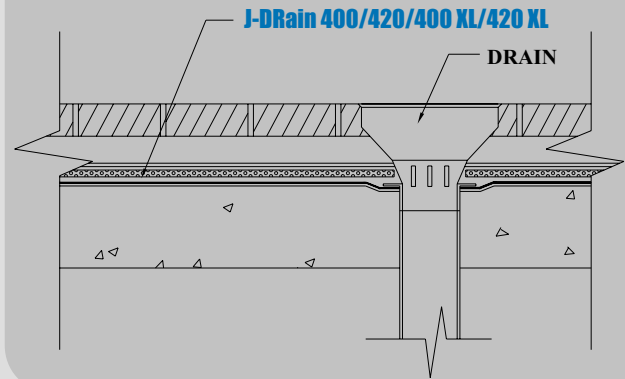
Prefabricated Drainage Composites



APPLICATIONS:

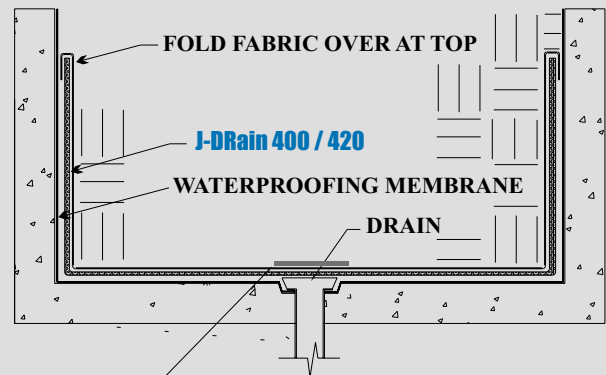
FOUNDATION WALL / RETAINING WALL

APPLICATION: PLAZA DECKS



APPLICATIONS:

PLANTERS & ROOF GARDENS



NOTE: When using J-DRain 400 & 420 cut and remove drainage core and cover with an aluminum plate as shown.

Physical Properties

Core

Fabric

	400/420	400XL/420XL			
		400	420	400XL	420XL
Compressive Strength (ASTM D-1621)	15,000 psf (718 kNm ²)	16,500 psf (790 kNm ²)			
Thickness (ASTM D-1777)	.40 in. (10.16 mm)	.40 in. (10.16 mm)			
Flow (Hydraulic gradient =1) (ASTM D-4716)	21 g/min/ft (260 L/min/m)	21 g/min/ft (260 L/min/m)			
Roll Length	Roll Width	Roll Weight (approx. lbs.)			
50 ft (15.24 m)	4 ft (1.22 m)	39	40.5	45	46.5
	6.5 ft (1.98 m)	63	65.5	73	75.5
	8 ft (2.44 m)	78	80	90	93

	400/420	400XL/420XL
	Flow (ASTM D-4491)	140 gal/min/ft ² (5704 L/min/m ²)
CBR Puncture (ASTM D-6241)	250 lbs. (1.113 kN)	410 lbs. (1.825 kN)
AOS (EOS)	70 U.S. Sieve (.212 mm)	70 U.S. Sieve (.212 mm)
Grab Tensile (ASTM D-4632)	100 lbs. (.45 kN)	160 lbs. (.712 kN)

The information contained herein is believed by JDR Enterprises, Inc. to be accurate and is offered solely for the customer's consideration, investigation and verification. Determination of suitability for use is the responsibility of the user. JDR's Limitations, Limited Warranty, & Disclaimer along with Standard Terms & Conditions apply. See www.j-drain.com for more info. Limitations: J-DRain is resistant to chemicals in normal soil environments. However, some reagents may affect the performance of J-DRain. A JDR representative should be contacted for further information to determine the suitability of use of J-DRain in unusual soil environments. J-DRain should be limited to its exposure to ultra-violet sunlight. J-DRain should be backfilled or covered within seven days of installation. Disclaimer: All information, drawings and specifications are based on the latest published information at the time of printing. JDR reserves the right to make changes due to manufacturing improvements and engineering at any time. All physical properties are minimum average roll values (MARV). Standard variations of 10% in mechanical properties and 15% in hydraulic properties are normal.

info@j-drain.com

www.j-drain.com

JDR Enterprises, Inc.

292 S. Main St., Suite 200 Alpharetta, GA 30009
(800) 843-7569 (770) 442-1461 Fax: (770) 664-7951